

PNT-R

Sanitary housings for the filtration of dangerous fluids

Stainless steel housings with sanitary finishes for the filtration and sterilization of dangerous fluids and gases in the food and pharmaceutical industries.

The PNT-R series is made with Tri-Camp type process connections, available in various configurations to install from 1 to 8 SOE filter elements (open on one side only).



Main features

- Versions with or without side vent port.
- Double bolt clamp closure system for single-cartridge housings and screw clamps for multi-cartridge housings
- Sterilizable in line with steam.

Construction materials

Housing: stainless steel AISI 316L.

Clamp Closure: clamp stainless steel AISI 304 per single-cartridge.

Screw clamps AISI 316 for multi-cartridge.

Gaskets: silicone.

Finishing

External: mechanical polishing.

Internal: fine brushed.

Filtered side roughness: $Ra \leq 0,8 \mu\text{m}$ / optional $Ra \leq 0,4 \mu\text{m}$

Design and construction

In accordance with PED e ATEX European Directive .

Suitable for fluids group 1 and 2 in accordance with CE 1227.

Certification

UE declaration of conformity PED / ATEX and user manual.

Models	Filter element		IN-OUT connections ASME BPE	Drain	Vent	Weight Kg.	PED		
	Q.ty	Size					PED	Fluid group	
PNT-R25RR-0105B7-L8-S	1	20705	1"TC	1"TC	1½"TC	6,5	art.4 par 3		
PNT-R25RR-0110B7-L8-S	1	2071				7	I		
PNT-R25RR-0120B7-L8-S	1	2072				8	I		
PNT-R25RR-0130B7-L8-S	1	2073				9	II		
PNT-R40RR-0110B7-L8-S	1	2071	1½" TC	1½"TC		7	I		
PNT-R40RR-0120B7-L8-S	1	2072				8	I		
PNT-R40RR-0130B7-L8-S	1	2073				10	II		
PNT-R40RR-0310B7-L8-S	3	2071				18	II		
PNT-R40RR-0320B7-L8-S	3	2072	21	II		Group 1 (dangerous) & Group 2 (not dangerous)			
PNT-R40RR-0330B7-L8-S	3	2073	23	II					
PNT-R50RR-0520B7-L8-S	5	2072	2" TC	1½"TC			22	II	
PNT-R50RR-0530B7-L8-S	5	2073					24	III	
¹ PNT-R50RR-0820B7-L8-S	8	2072			30		III		
¹ PNT-R50RR-0830B7-L8-S	8	2073			34		III		
¹ PNT-R65RR-0820B7-L8-S	8	2072	2½" TC	1½"TC	30		III		
¹ PNT-R80RR-0830B7-L8-S	8	2073	3"TC		34		III		

Note: the models indicated refer to standard versions, for different configurations see the options indicated in the description of the product code.

1: housing 8 cartridges only with vent without side door

Description of the product code

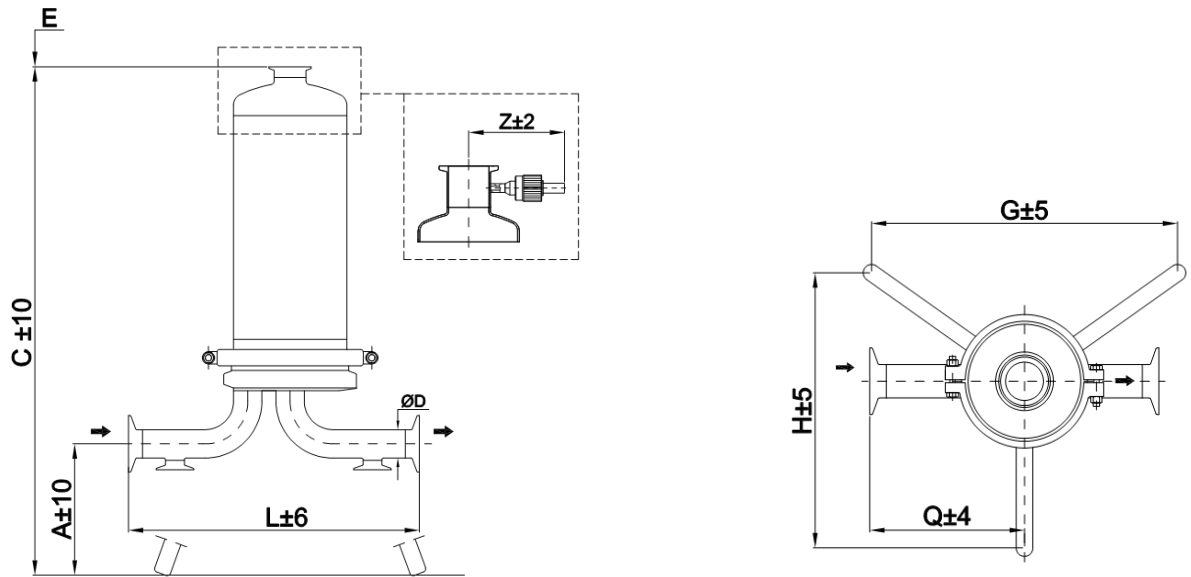
Serie	-	IN—OUT connections	Vent connection	Drain connection	-	Cartridge Q.ty	Cartridge size	-	Filtered side roughness	-	O-Ring material
PNT		R25 1" TC	R TC without side door	R TC		01 1	05B7 5"		L8 Ra ≤ 0,8 μm		S Silicone
		R40 1½" TC	3 TC with Rectus 21 door	X None		03 3	10B7 10"	B7 ORING 226	L4 Ra ≤ 0,4 μm		E EPDM
		R50 2" TC	4 TC with Staubli RBE 03 door			05 5	20B7 20"		EL Electro polishing Ra ≤ 0,4 μm		FS FEP/ Silicone
		R65 2½" TC				08 8	30B7 30"				
		R80 3" TC					40B7 40"		B8 ORING 222		
							05B8 5"				
							10B8 10"				
							20B8 20"				
							30B8 30"				
							40B8 40"				

Example code

PNT — **R50RR** — **0320B7** — **L8** — **S**

Operating limits			ATEX 2014/34/EU classification	
Fluid state	Min/Max temperature	Min/Max pressure	GAS	DUST
Liquid/ Gas	-20°C /+ 150 °C	-1/10 bar	II 2 G Ex h IIC T3 Gb	II 2 D Ex h IIIC 150°C Db

PNT-R SINGLE CARTRIDGE

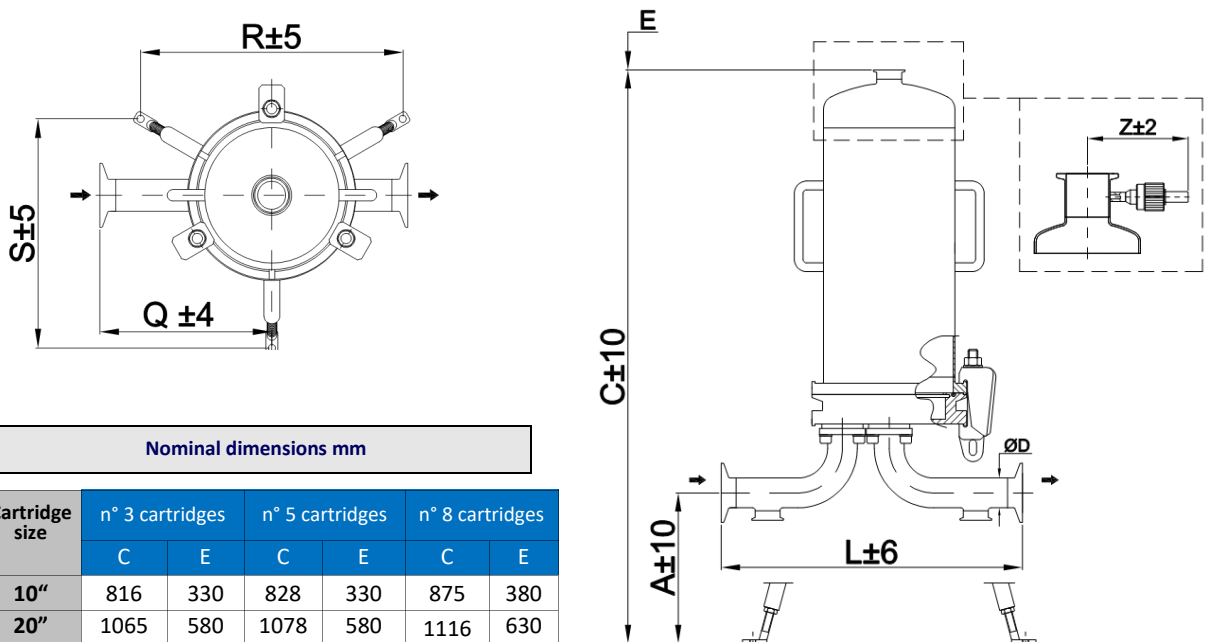


Nominal dimensions mm

IN OUT connections	A	Ø D	L	G	H	Q
TC 1"	375	25,4	270	339	326	154
TC 1-½"	370	38,1	198			

Cartridge Size	C	E	Z
5"	690	230	96
10"	790	330	
20"	1040	580	
30"	1290	830	
40"	1540	1080	

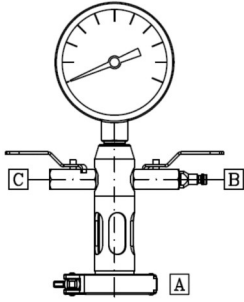
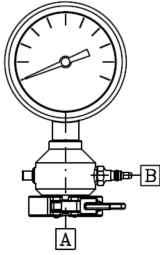
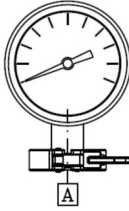
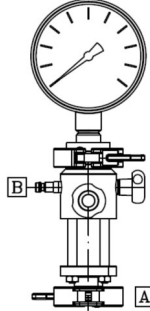
PNT-R MULTI-CARTRIDGE

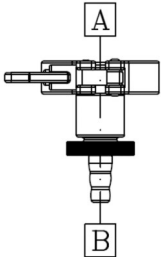
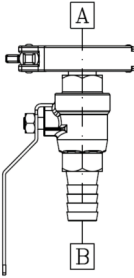
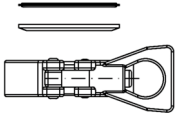
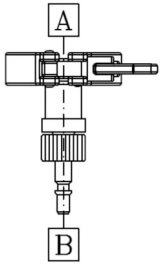


Nominal dimensions mm

Cartridge size	n° 3 cartridges		n° 5 cartridges		n° 8 cartridges	
	C	E	C	E	C	E
10"	816	330	828	330	875	380
20"	1065	580	1078	580	1116	630
30"	1314	830	1328	830	1375	880
40"	1564	1080	1578	1080	1625	1130

IN OUT connections	n° cartridges	A	Ø D	L	S	R	Q	Z
TC 1-½"	3	313-363	38,1	385	313-333	340-362	223	96
	5			405			243	
TC 2"	5	285-333	50,8	445	342-362	395-417	263	
	8			471			289	
TC 2-½"	8	255-303	63,5	547	383-431	442-490	323	NA
TC 3"	8	228-275	76,2	603			351	

Accessories	KC-M-M-R40-XS-SGL	KC-M-M-R40-XS-STB	*KC-M-N-R40-XS **KC-M-P-R40-XS	KC-M-N-R40-XS-SGS
Manometri				
	Manometro with sight glass and ball valve	Manometer with sanitary valve	Manometer with diaphragm	Manometer with diaphragm, sight glass and 2 sanitary valves
Materials:	AISI 316 / AISI 304	AISI 316 / AISI 304	AISI 316 / AISI 304	AISI 316 / AISI 304
Gasket material:	Silicone	Silicone	Silicone	Silicone
Manometer diameter:	100 mm	100 mm	* 100 mm ** 63 mm	100 mm
Pressure range:	0-10 bar			
Max temperature:	100°C			
Connections:	A-clamp 1½"	A-clamp 1½"	A - clamp 1½"	A - clamp 1½"
Valve:	B- ball valve innesto RECTUS 21KA ø9mm	B-sanitary valve innesto Staubli RBE 03	-	B- n°2 sanitary valves innesto Staubli RBE 03

Accessories	KC-V-S-R40-XS-HSB-PN18	KC-V-B-R40-XS-HSB-PN64	KC-V-T-R40-XS-XX-XX	KC-V-S-R40-XS-STB
Vents and drains				
	Sanitary drain valve	Ball valve	Clamp cap	Sanitary sampling valve
Materials:	AISI 316 / AISI 304	AISI 316 / AISI 304	AISI 316 / AISI 304	AISI 316 / AISI 304
Gasket material:	silicone	silicone	silicone	silicone
Operating pressure:	18 bar	64 bar	18 bar	10 bar
Max temperature:	150 °C			
Connections:	A- clamp 1½"	A- clamp 1½"	clamp 1"½"	A- clamp 1½"
	B-hose nozzle ø 12 mm	B-hose nozzle ø 21 mm		Staubli RBE 03

DS-PNT-R-A024-EN/21-1

Data contained in this bulletin are informative and subject to change without notice.
User is responsible for determining whether the product is fit for particular purpose and suitable for User's method of application.



Bea Technologies Spa Via Newton, 4 - 20016 Pero (Milano) ITALY
 Tel +39 02 339271 FAX +39 02 3390713 e-mail: info@bea-italy.com
 web: www.bea-italy.com